

Project

Date

Models

MP

Item#

Quantity



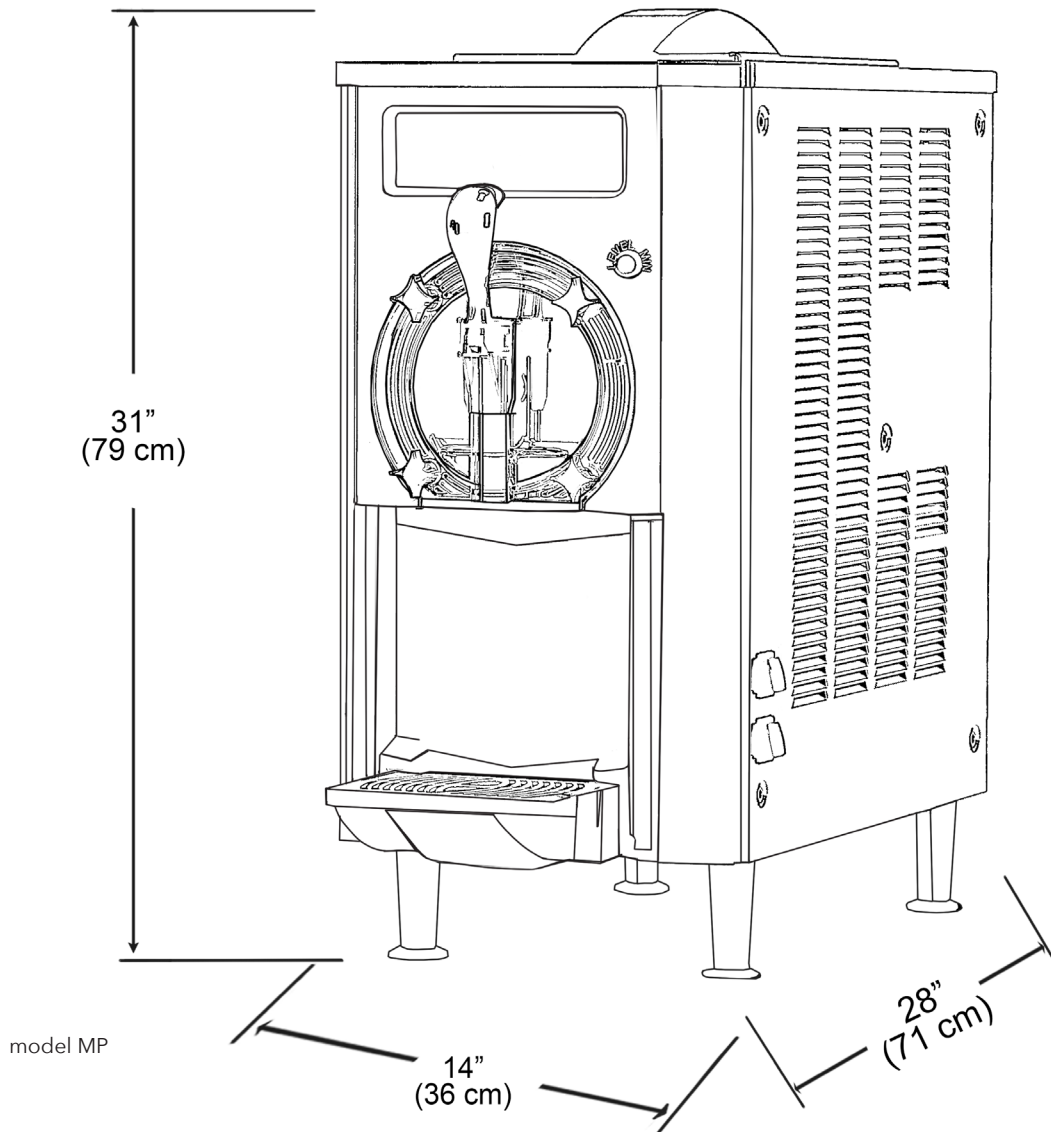
model MP with Remote Control

FEATURES

- Ideal for high-volume, high-demand situations, this slush machine offers continuous, rapid production, thanks to its gravity-feed system.
- 4.76 gallon (18 L) capacity single barrel freezer.
- Backlit front panel with polychromatic, dimmable LED lighting system. Colors and intensity can be set using the supplied remote control.
- Front window ensuring product visibility, and encourages impulse purchasing.
- Refrigerated tank, air cooling.
- The advertising panel is LED-illuminated for greater customer appeal.
- Robust stainless steel structure.
- User friendly.
- Mechanical control board.
- Manual defrost mode.
- Certified NSF-6 safe for milk.



MP SERIES CRATHCO SINGLE BARREL FREEZER



NSF-6



MODELS & SPECIFICATIONS

Model	Description	Electrical	Refrigeration	Product Dimensions (H x W x D)	Product Weight	Ship Weight
MP (1207-000)	2.64 gallons (10 L) capacity in hopper, 2.1 gallons (8 L) capacity in cooling cylinder	115V / 60 Hz 1.35 kW / 13 A 1Ph	Refrigerant: R404A Compressor: ¾ hp air cooled	31" x 14" x 28" (79 cm x 36 cm x 71 cm)	172 lbs. (78 kg)	207 lbs. (94 kg)

Note: Operate at room temperature between 75 - 90° F (24 and 32° C)

Note: Mixture must maintain a sugar content between 12 -14%; a lower concentration could seriously damage the mixing parts and gear motors.